



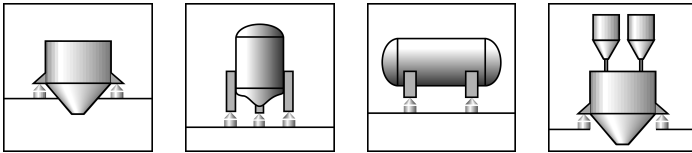
Z6...

Load cells



Special features

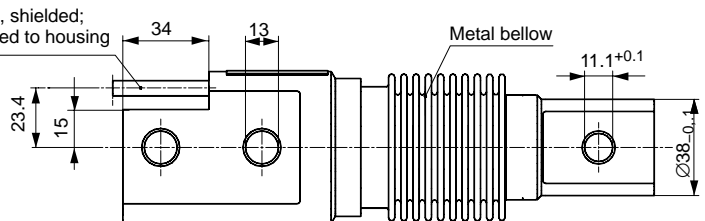
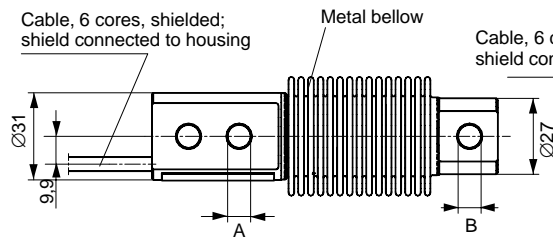
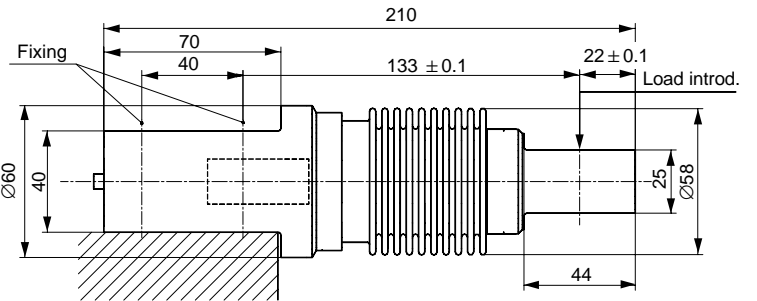
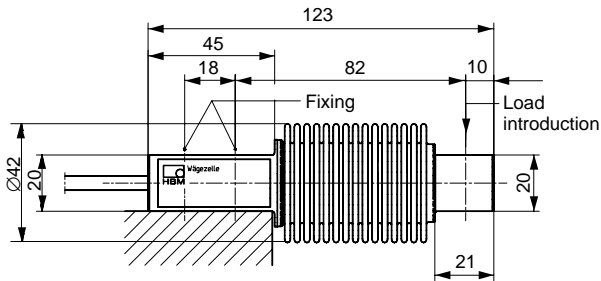
- Welded on metal bellow
- Max. capacities 5 kg...1 t
- Load cells and mounting aids entirely made from stainless material
- Complies with OIML R60 regulations up to 6000 d
- Six-wire circuit
- Optimized for parallel connection with corner-pretadjustment
- Meets today EMC/ESD requirements according to EN 45501
- Explosion proof version acc. to ATEX 95 optional



Dimensions (in mm; 1 mm = 0.03937 inches)

Z6; Max. capacities 5 kg...500 kg

Z6; Max. capacity 1 t



| | A | B |
|------------|------|------|
| 5...200 kg | 8.2 | 8.2 |
| 500 kg | 10.5 | 11.1 |

Specifications

| Type | | Z6FD1 | Z6FC3 | Z6FC3MI | Z6FC4 | Z6FC6 | | | |
|--|---|---|---------------------------------|----------------------------|--------------------------|------------------|------|-----|------|
| Accuracy class according to OIML R 60 | | D1 | C3 | C3/MI7.5 | C4 | C6 | | | |
| Maximal numbers of load cell verif. intervals (n_{LC}) | | 1000 | 3000 | 3000 | 4000 | 6000 | | | |
| Max. capacity (E_{max}) | kg | 5; 10; 20; 50; 100; 200; 500 | 10; 20; 50; 100; 200; 500 | 50; 100; 200 | 20; 50; 100; 200; 500 | 50; 100; 200; | | | |
| | t | 1 | 1 | - | - | - | | | |
| Minimum load cell verification interval (v_{min}) | % of E_{max} | 0.0360 | 0.0090 | 0.0066 | | | | | |
| Min. dead load output return (D_{DR}) | | - | - | $0.5 \cdot E_{max} / 7500$ | - | - | | | |
| Sensitivity (C_n) | mV/V | 2 | | | | | | | |
| Tolerance on sensitivity | % | +1; -0.1 | $\pm 0.05^1$ | | | | | | |
| Temperature effect on sensitivity (TK_C) ²⁾ | % of C_n | ± 0.0500 | ± 0.0080 | ± 0.0080 | ± 0.0070 | ± 0.0040 | | | |
| Temperature effect on zero balance (TK_0) | % of $C_n / 10$ K | ± 0.0500 | ± 0.0125 | ± 0.0093 | ± 0.0093 | ± 0.0093 | | | |
| Hysteresis error (d_{ny}) ²⁾ | | ± 0.0500 | ± 0.0170 | ± 0.0066 | ± 0.0130 | ± 0.0080 | | | |
| Linearity deviation (d_{lin}) ²⁾ | % of C_n | ± 0.0500 | ± 0.0180 | ± 0.0180 | ± 0.0150 | ± 0.0110 | | | |
| Creep (d_{DR}) in 30 min. | | ± 0.0490 | ± 0.0166 | ± 0.0098 | ± 0.0125 | ± 0.0083 | | | |
| Input resistance (R_{LC}) (black-blue) | Ω | 350...480 | | | | | | | |
| Output resistance (R_0) (red-white) | | 356 ± 0.2 | 356 ± 0.12 | | | | | | |
| Reference excitation voltage (U_{ref}) | V | 5 | | | | | | | |
| Nominal range of excitation voltage (B_U) | | 0.5...12 | | | | | | | |
| Insulation resistance (R_{is}) | G Ω | > 5 | | | | | | | |
| Nominal temperature range (B_T) | | -10...+40 [-15...+105] | | | | | | | |
| Service temperature range (B_{tu}) | $^{\circ}C$ [$^{\circ}F$] | -30...+70 [-20...+160] | | | | | | | |
| Storage temperature range (B_{st}) | | -50...+85 [-60...+185] | | | | | | | |
| Safe load limit (E_L) | | 150 | | | | | | | |
| Breaking load (E_d) | % of E_{max} | ≥ 300 | | | | | | | |
| Max. capacity | kg | 5 | 10 | 20 | 50 | 100 | 200 | 500 | 1000 |
| Permissible dynamic load (F_{srel}) | % of E_{max} | 100 | 100 | 100 | 100 | 100 | 100 | 70 | 100 |
| Deflection at max. load, (s_{nom}) approx. (± 15 %) | mm | 0.24 | 0.3 | 0.29 | 0.27 | 0.31 | 0.39 | 0.6 | 0.55 |
| Weight (G), approx. | kg | 0.5 | 0.5 | 0.5 | 0.5 | 0.5 | 0.5 | 0.5 | 2.3 |
| Protection class (IP) acc. to EN60529 (IEC529) | | IP 68 (more rigorous test conditions: 100 h at 1 m water column) | | | | | | | |
| Material | Measuring body Metal below Cable entrance Cable sheath | stainless steel stainless steel stainless steel / Viton® PVC | | | | | | | |

1) With Z6FC3/10kg load cell: $\leq \pm 0.1$ %.

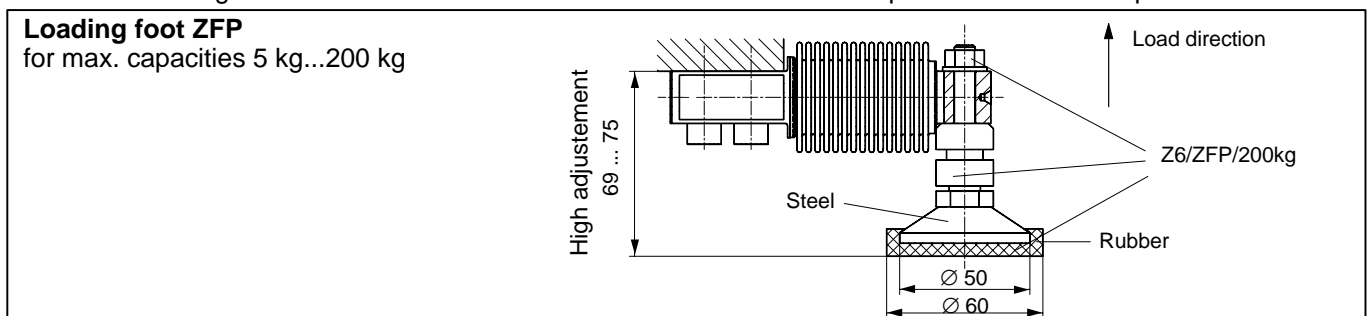
2) The data for deviation of linearity, hysteresis and temperature effect on sensitivity are typical values. The sum of these data meets the requirements according to OIML R60.

Options:

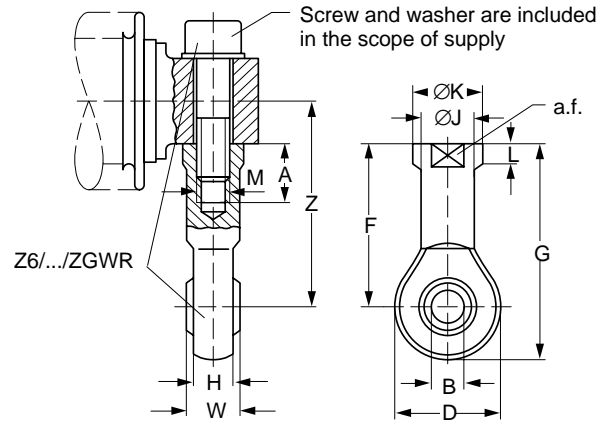
- Explosion-proof versions according to ATEX 95:**
- II 2 G EEx ia IIC T4 resp. T6 (Zone 1) *)
 - II 3 G EEx nA II T6 (Zone 2)
 - II 2 D IP68 T80 $^{\circ}C$ (Zone 21) *)
 - II 3 D IP68 T80 $^{\circ}C$ (Zone 22 for non-conductive dust)
- *) with EC-type examination certificate

Mounting aids, not included in scope of supply (Dimensions in mm; 1 mm = 0.03937 inches)

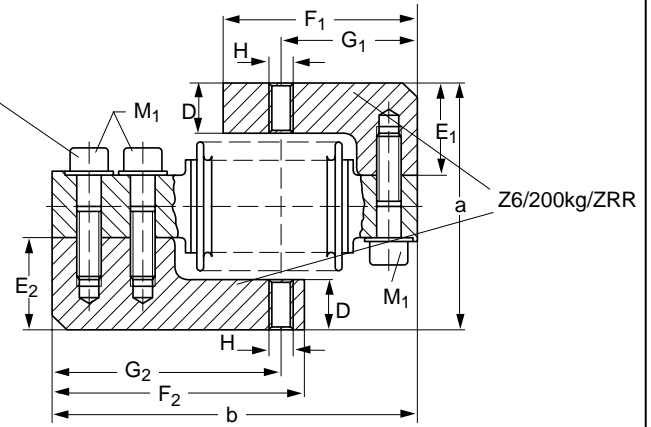
Note: All mounting aids are made from stainless material. The ZEL rubber parts are from chloroprene caoutchouc.



ZGWR Knuckle eye (maintenance-free)
for max. capacities of 5 kg...1 t



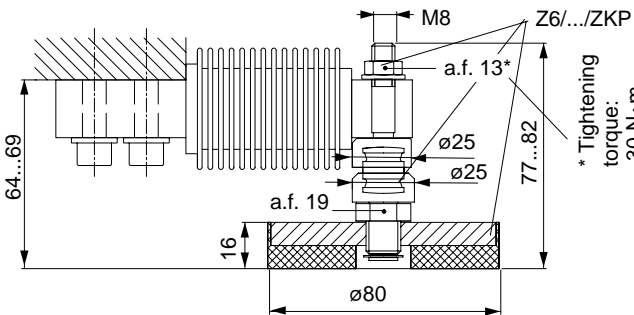
ZRR Fold-back arm for max. capacities of 5 kg...200 kg



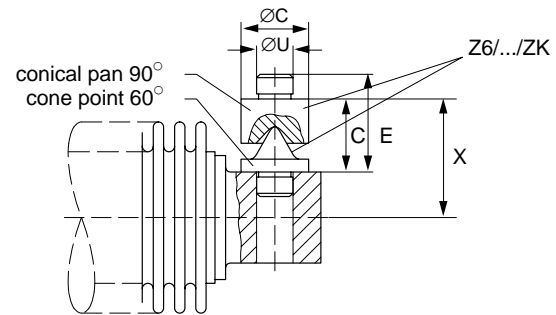
| Max. capacity | ZGWR Knuckle eye | A | B | D | F | G | H | Ø J | Ø K | L | M | a.f. | W | Z |
|---------------|------------------|----|------------------|----|----|----|------|------|-----|-----|-----|------|----|---------|
| 5 kg...200 kg | Z6/200kg/ZGWR | 16 | 8 ^{H7} | 24 | 36 | 48 | 9 | 12.5 | 16 | 5 | M8 | 14 | 12 | 46 |
| 500 kg/1 t | Z6/1t/ZGWR | 20 | 10 ^{H7} | 28 | 43 | 57 | 10.5 | 15 | 19 | 6.5 | M10 | 17 | 14 | 53/55.5 |

| Max. capacity | ZRR Fold-back arm | D | E ₁ | E ₂ | F ₁ | F ₂ | G ₁ | G ₂ | H | M ₁ | a | b | Width |
|---------------|-------------------|----|----------------|----------------|----------------|----------------|----------------|----------------|----|----------------|----------|-----|-------|
| 5 kg...200 kg | Z6/200kg/ZRR | 16 | 30 | 30 | 65 | 85 | 46 | 77 | M8 | M8x30 | 80 ± 1.1 | 123 | 15 |

Loading foot ZKP for max. capacities 5 kg...200 kg

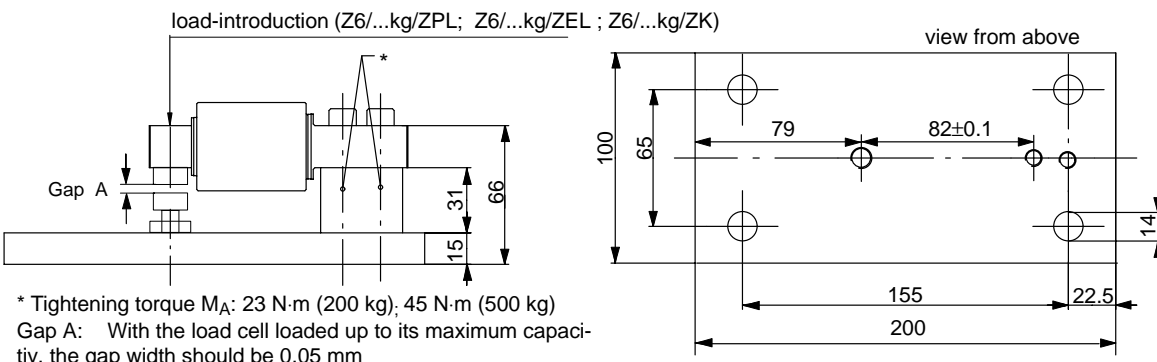


Cone and conical pan ZK for max. capacities 5 kg...1 t

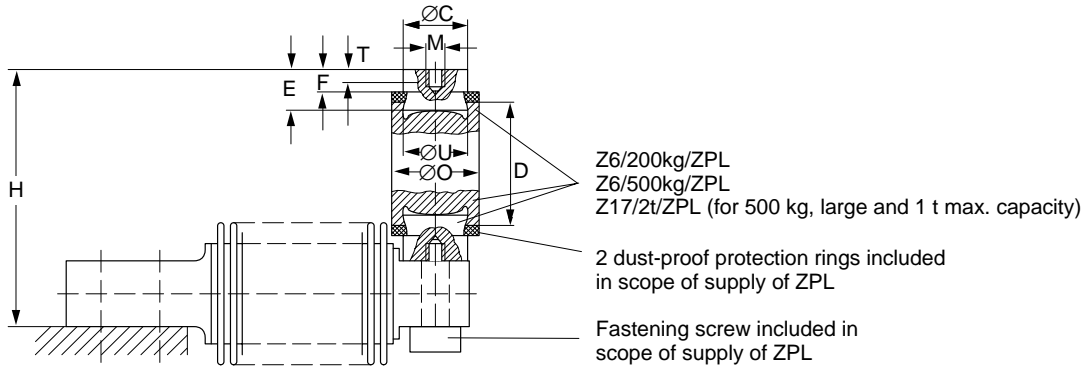


| Max. capacity | Cone and conical pan ZK | Ø C | D | E | Ø U | X |
|---------------|-------------------------|-----|----|----|----------------------|------|
| 5...200 kg | Z6/200kg/ZK | 15 | 16 | 21 | 8.1 _{-0.05} | 26 |
| 500 kg | Z6/1t/ZK | 18 | 24 | 32 | 11 _{-0.05} | 34 |
| 1 t | Z6/1t/ZK | 18 | 24 | 32 | 11 _{-0.05} | 36.5 |

Base plate/ Mounting kit for max. capacities 5 kg (Z6/ZPU/200kg) ... 500 kg (Z6/ZPU/500kg)



Pendulum bearing ZPL for max. capacities 5 kg...1 t

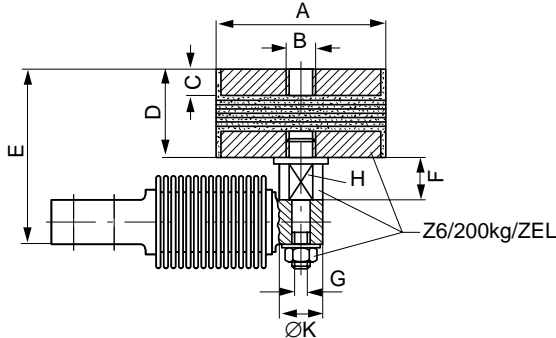


| Max. capacity | Pendulum bearing ZPL | Ø C | D | H | M | Ø O | T | E | F | Ø U | F _R * (% of applied load) | S _{max} ** (mm) |
|---------------|----------------------|--------------------|----|------------------------------------|-----|-----|-----|----|----|-------------------|---|-----------------------------|
| 5...200 kg | Z6/200kg/ZPL | 20 _{-0.2} | 45 | 89 ^{+0.6} _{-0.8} | M8 | 30 | 6.5 | 17 | 9 | 20 ^{D10} | 2.8 | 3.5 |
| 500 kg | Z6/1t/ZPL | 20 _{-0.2} | 45 | 89 ^{+0.6} _{-0.8} | M8 | 30 | 6.5 | 17 | 9 | 20 ^{D10} | 2.8 | 3.5 |
| 1 t | Z6/1t/ZPL | 30 _{-0.1} | 60 | 126.5 | M10 | 46 | 8 | 22 | 14 | 20 ^{D10} | 2 | 7.5 |

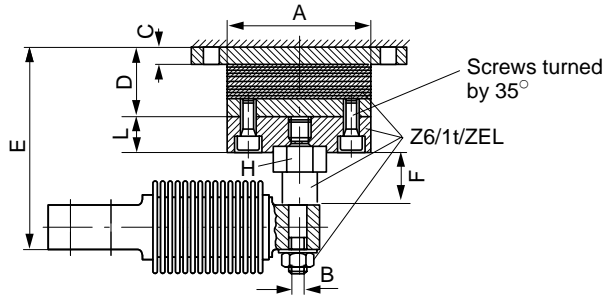
* F_R: restoring force in N for s = 1 mm

** S_{max}: max. lateral displacement of load introduction loaded with max. capacity

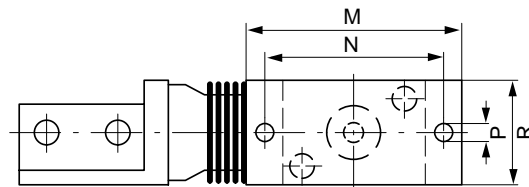
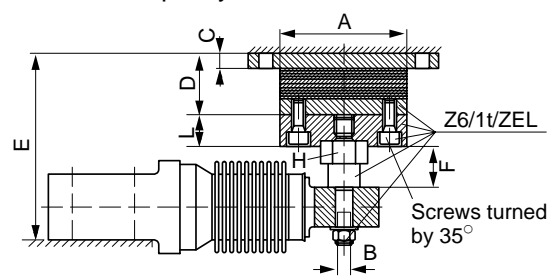
ZEL Rubber-metal bearing for max. capacities of 5 kg...200 kg



for max. capacity of 500 kg



ZEL Rubber-metal bearing for max. capacity 1 t



Correct mounting position of the rubber metal bearing

| Max. capacity | ZEL Rubber-metal bearing | A | B | C | D | E | F | G | H | K | L | M | N | P | R | F _R * (N) | S _{max} ** (mm) |
|---------------|--------------------------|----|-----|----|----|-------------------------------------|------|----|---------|----|----|-----|-----|---|----|-------------------------|-----------------------------|
| 5 kg...200 kg | Z6/200kg/ZEL | 75 | M12 | 12 | 40 | 79 ± 1.3 | 18.5 | M8 | a.f. 17 | 19 | - | - | - | - | - | 163 | 3 |
| 500 kg | Z6/1t/ZEL | 80 | M10 | 10 | 39 | 105 ^{+2.1} _{-2.2} | 26 | - | a.f. 27 | - | 20 | 120 | 100 | 9 | 60 | 400 | 4.5 |
| 1 t | Z6/1t/ZEL | 80 | M10 | 10 | 39 | 117 ^{+2.1} _{-2.2} | 26 | - | a.f. 27 | - | 20 | 120 | 100 | 9 | 60 | 400 | 4.5 |

* F_R = restoring force in N for 1 mm lateral displacement

** S_{max}: = in mm, max. lateral displacement of load introduction loaded with max. capacity

Modifications reserved.

All details describe our products in general form only. They are not to be understood as express warranty and do not constitute any liability whatsoever.

Hottinger Baldwin Messtechnik GmbH

Im Tiefen See 45, D-64293 Darmstadt, Germany
Tel.: +49 6151 803-0 Fax: +49 6151 803 9100
Email: support@hbm.com Internet: www.hbm.com



measurement with confidence