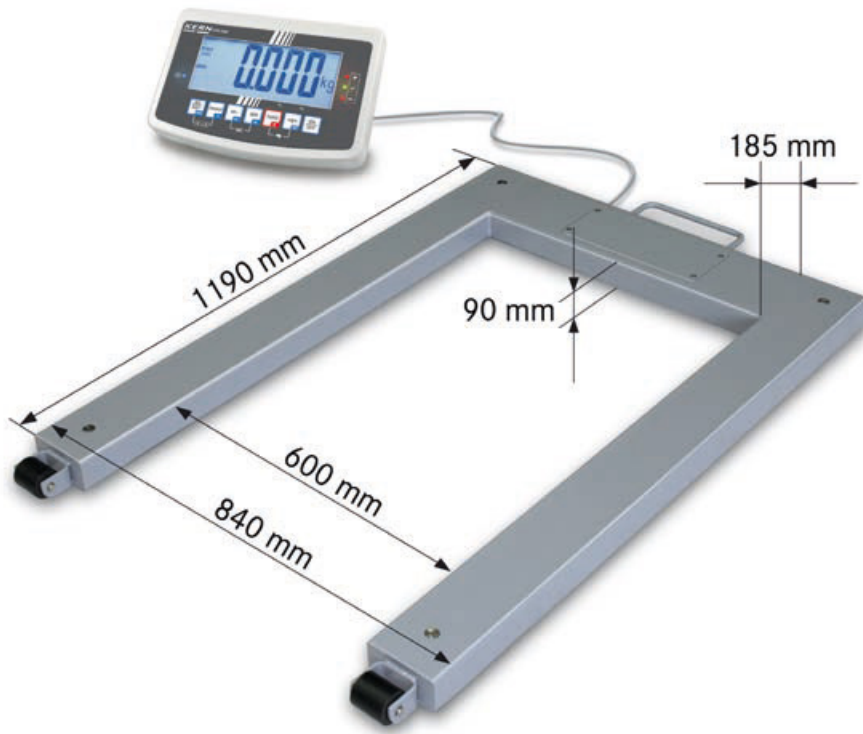


Pallet scale KERN UFB



Pallet scale with steel load support (IP67) and EC type approval [M]

Features

- **High mobility:** thanks to rechargeable battery operation (optional), compact, lightweight construction, it is suitable for the use in several locations
- **1 Load support:** steel, painted, 4 silicone-coated aluminium load cells, protection against dust and water splashes IP67. Weighing bridge can also be delivered as component without the display device, for details see KERN KFU V20
- Two wheels for easy transportation of the scale
- **Weighing with tolerance range (check-weighing):** A visual and audible signal assists the rapid checking of items on pallets
- **Counting system:** A counting scale can be connected using the data interface, and this can be used to create a high-capacity counting system for counting the very small parts in largest quantities
- **Totalising** of weights and piece counts

Technical data

- Large backlit LCD display, digit height 52 mm
- Dimensions of display device WxDxH 250x160x58 mm
- Cable length of display device approx. 5 m
- Net weight approx. 55 kg
- Permissible ambient temperature -10 °C/40 °C

Accessories

- **Protective working cover**, can be re-ordered, scope of delivery: 5 items, KERN KFB-A02S05
- **2 Stand** to elevate display device, height of stand approx. 800 mm, can be retrofitted, KERN BFS-A07
- **Rechargeable battery pack internal**, operating time up to 35 h without backlight, charging time approx. 12 h, KERN KFB-A01

- **3 Signal lamp** for visual support of weighing with tolerance range, KERN CFS-A03
- **4 Large display with superior display size**, KERN YKD-A02
- **Y-cable** for parallel connection of two terminal devices to the RS-232 interface on the scale, e.g. signal lamp or barcode reader and printer, KERN CFS-A04
- **Cable with special length** 15 m, between display device and platform, for verified models which must be ordered at the time of purchase, KERN BFB-A03
- Further details, plenty of further accessories and suitable printers see *Accessories*

1 Shipment via freight forwarder. Please ask for dimensions, gross weight, shipping costs

STANDARD



OPTION



FACTORY



Model	Weighing range [Max] kg	Readout = Verification value [d] = [e] kg	Minimal load [Min] kg	Options		
				Verification	DAkkS Calibr. Certificate	
KERN				M KERN	DKD KERN	
UFB 600K200M	600	0,2	4	965-230		963-130
UFB 1.5T0.5M	1500	0,5	10	965-230		963-130

Note: For applications that require verification, please order verification at the same time, initial verification at a later date is not possible. Verification at the factory, we need to know the full address of the location of use.

KERN Pictograms:



Internal adjusting: Quick setting up of the balance's accuracy with internal adjusting weight (motordriven).



Piece counting: Reference quantities selectable. Display can be switched from piece to weight.



Rechargeable battery pack: Rechargeable set.



Adjusting program CAL: For quick setting up of the balance's accuracy. External adjusting weight required.



Recipe level A: Separate memory for the weight of the tare container and the recipe ingredients (net total).



Universal mains adapter: with universal input and optional input socket adapters for
A) EU, GB
B) EU, GB, CH, USA
C) EU, GB, CH, USA, AUS



Memory: Balance memory capacity, e.g. for article data, weighing data, tare weights, PLU etc.



Recipe level B: Internal memory for complete recipes with name and target value of the recipe ingredients. User guidance through display.



Mains adapter: 230V/50Hz in standard version for EU. On request GB, USA or AUS version available.



Alibi memory: Electronic archiving of weighing results, complying with the 2014/31/EU standard.



Recipe level C: Internal memory for complete recipes with name and target value of the recipe ingredients. User guidance through display, multiplier function, adjustment of recipe when dosages are exceeded or barcode recognition.



Power supply: Integrated in balance. 230V/50Hz standard EU. More standards e.g. GB, USA or AUS on request.



Data interface RS-232: To connect the balance to a printer, PC or network.



Weighing principle: Strain gauge
Electrical resistor on an elastic deforming body.



RS-485 data interface: To connect the balance to a printer, PC or other peripherals. High tolerance against electromagnetic disturbance.



Totalising level A: The weights of similar items can be added together and the total can be printed out.



Weighing principle: Tuning fork
A resonating body is electromagnetically excited, causing it to oscillate.



USB data interface: To connect the balance to a printer, PC or other peripherals.



Percentage determination: Determining the deviation in % from the target value (100 %).



Weighing principle: Electromagnetic force compensation
Coil inside a permanent magnet. For the most accurate weighings.



Bluetooth* data interface: To transfer data from the balance to a printer, PC or other peripherals.



Weighing units: Can be switched to e.g. non-metric units at the touch of a key. See balance model. Please refer to KERN's website for more details.



Weighing principle: Single cell technology
Advanced version of the force compensation principle with the highest level of precision.



WLAN data interface: To transfer data from the balance to a printer, PC or other peripherals.



Weighing with tolerance range: Upper and lower limiting values can be programmed individually for e.g. dosing, sorting and portioning.



Verification possible:
The time required for verification is specified in the pictogram.



Control outputs (optocoupler, digital I/O): To connect relays, signal lamps, valves, etc.



Hold function: (Animal weighing program) When the weighing conditions are unstable, a stable weight is calculated as an average value.



DAkKS calibration possible (DKD): The time required for DAkKS calibration is shown in days in the pictogram.



Interface for second balance: For direct connection of a second balance.



Protection against dust and water splashes IPxx: The type of protection is shown in the pictogram.



Package shipment: The time required for internal shipping preparations is shown in days in the pictogram.



Network interface: For connecting the scale to an Ethernet network. With KERN products you can use a universal RS-232/LAN converter.



ATEX explosion protection: Suitable for use in hazardous industrial environments, in which there is explosion danger. The ATEX marking is specified for each device.



Pallet shipment: The time required for internal shipping preparations is shown in days in the pictogram.



Wireless data transfer: between the weighing unit and the evaluation unit using an integrated radio module.



Stainless steel: The balance is protected against corrosion.



Warranty: The warranty period is shown in the pictogram.



GLP/ISO log: The balance displays the weight, date and time, regardless of a printer connection.



Suspended weighing: Load support with hook on the underside of the balance.



GLP/ISO log: With weight, date and time. Only with KERN printers.



Battery operation: Ready for battery operation. The battery type is specified for each device.

KERN – Precision is our business

To ensure the high precision of your balance KERN offers you the the appropriate test weight in the international OIML error limit classes E1-M3 from 1 mg - 2500 kg. In combination with a DAkKS calibration certificate the best pre-requisite for proper balance calibration.

The KERN DAkKS calibration laboratory today is one of the most modern and best-equipped DAkKS calibration laboratories for balances, test weights and force-measurement in Europe.

Thanks to the high level of automation, we can carry out DAkKS calibration of balances, test weights and force-measuring devices 24 hours a day, 7 days a week.

Range of services:

- DAkKS calibration of balances with a maximum load of up to 50 t
- DAkKS calibration of weights in the range of 1 mg – 2500 kg
- Volume determination and measuring of magnetic susceptibility (magnetic characteristics) for test weights
- Database supported management of checking equipment and reminder service
- Calibration of force-measuring devices
- DAkKS calibration certificates in the following languages DE, GB, FR, IT, ES, NL, PL
- Conformity evaluation and reverification of balances and test weights

Your KERN specialist dealer: