



APPLIED MEASUREMENTS LTD.
Transducer Specialists...

+44 (0) 118 981 7339

info@appmeas.co.uk

www.appmeas.co.uk

DDE Miniature In-Line Load Cell

Key Features:

- Capacities 0-100N up to 0-50kN
- Tension and Compression
- Output: 2mV/V
- Sealed to IP65
- Accuracy: $<\pm 0.3\%$ /Rated Capacity
- Low Profile Compact Design
- Integral Male Threads for In-Line Mounting
- Low Deflection
- High Natural Frequency
- Robust Construction
- 3 Year Warranty

Low Profile Compact Load Cell for use in Tension and Compression



The DDE series of miniature in-line load cells are designed for use in both tension and compression. Its low profile and compact design, along with its integral mounting threads, enables their use in applications with restricted mounting space, where other in-line load cells such as the S-beam load cells are too large.

The DDE's low weight, low deflection and high natural frequency results in a high stiffness assembly and makes the load cell suited to the measurement of fast changes in load and high frequency transients.

The DDE can be seen working in applications such as automotive production, cable tension monitoring and suspension force monitoring.

Customised versions with different thread sizes, specific dimensions and interim capacity can be provided, please [contact our technical sales team](#).

Options:

- Non-Standard Sizes Available on Request
- Other Ranges Available on Request
- Shunt Calibration Facility
- Spherical Seating Rod End Bearings
- Female Adaptor Available on Request
- Compression Fittings Available
- High Temperature Versions
- Vacuum Application Versions
- USB Versions (via DSC-USB)
- TEDS (Transducer Electronic Data Sheet)
- TEDS Allows Plug & Play with TEDS Enabled Instrumentation.
- Single or Multi-Channel PC-Based Monitoring & Data Logging System
- Wireless Version (via T24 Instrumentation)
- Fatigue Rated Versions

Applications:

- Automotive Production
- Cable Tension Monitoring
- Suspension Force Monitoring
- General Force Applications
- Research & Development Applications
- Press Force Monitoring



APPLIED MEASUREMENTS LTD.

Transducer Specialists...

+44 (0) 118 981 7339

info@appmeas.co.uk






www.appmeas.co.uk

Specification:

Rated Capacity (RC)	N	0-100, 0-250, 0-500, 0-1000, 0-2500, 0-5000, 0-10000, 0-20000, 0-50000
Operating Modes	Tension/Compression / Tension & Compression	
Sensitivity (RO)	mV/V	2.0 nominal (1.5 nominal on 100N)
Zero Balance/Offset	±%/Rated Output	<1.0
Output Symmetry (tension vs. compression)	±%/Rated Output	<1
Non-Linearity	±%/Rated Output	<0.3
Hysteresis	±%/Rated Output	<0.3
Repeatability	±%/Rated Output	<0.2
Temperature Effect on Zero	±%/Rated Output/ °C	<0.005
Temperature Effect on Sensitivity	±%/Applied Load/ °C	<0.005
Input Resistance	Ohms	750 nominal
Output Resistance	Ohms	700 nominal
Insulation Resistance	Megohms	>5000 @ 50Vdc
Excitation Voltage	Volts AC or DC	10 recommended (2-15 acceptable)
Operating Temperature Range	°C	-20 to +80
Compensated Temperature Range	°C	0 to +70
Storage Temperature Range	°C	-20 to +80
Safe Overload	% of Rated Capacity	150
Ultimate Overload	% of Rated Capacity	200
Maximum Allowable Sideload	% of Rated Capacity	<5
Deflection @ Rated Capacity	mm	See dimensions table
Fundamental Resonant Frequency*	kHz	See dimensions table
IP Rating (Environmental Protection)		IP65
Weight (excluding cable)	grams	150 nominal
Fatigue Life	10 ⁸ cycles typical (10 ⁹ cycles on fatigue-rated version)	
Cable Length (as standard)	metres	2
Cable Type		4-core + screen, PVC sheath, Ø3.5 typical
Construction		Stainless Steel
Resolution:		1 part in 250,000 (with appropriate instrumentation)

*The resonant frequency is calculated with the body of the load cell attached to a large plate, ensuring that only the sensing element oscillates: This is vital to achieve the highest natural frequency and subsequent frequency response.

Wiring Diagram:

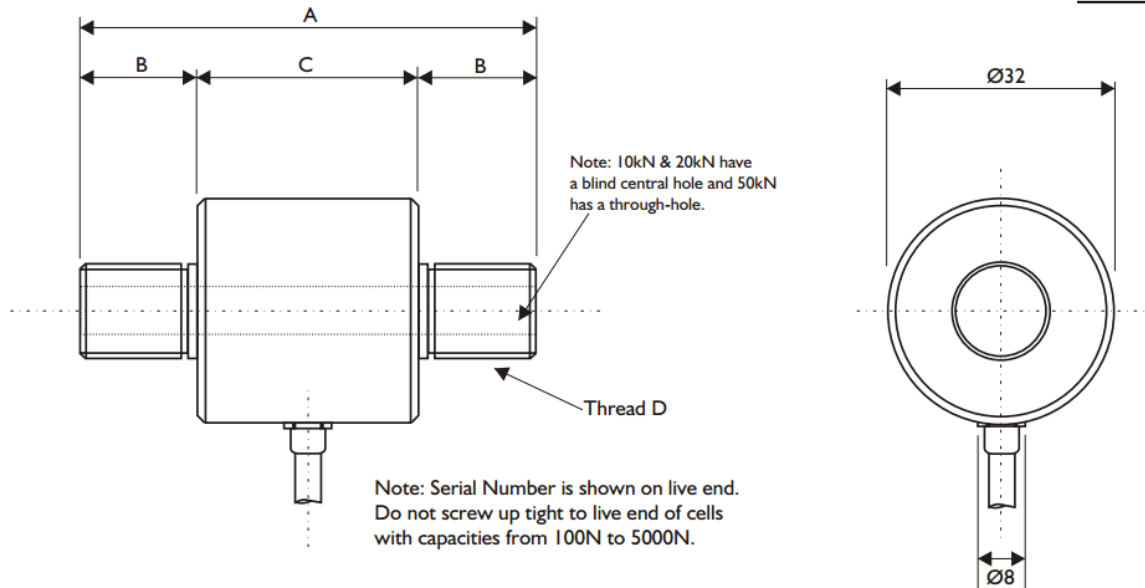
Wire	Designation
 Red	+ve excitation
 Blue	-ve excitation
 Green	+ve signal
 Yellow	-ve signal
 Screen	To ground - not connected to load cell body



Dimensions (mm):

CAPACITY (N)	A	B	C	D	DEFLECTION mm	RESONANT FREQUENCY kHz
0-100	50	15	20	M12 x 1.75	0.10	0.53
0-250	50	15	20	M12 x 1.75	0.10	0.84
0-500	50	15	20	M12 x 1.75	0.07	1.42
0-1000	50	15	20	M12 x 1.75	0.05	2.37
0-2500	50	15	20	M12 x 1.75	0.03	4.84
0-5000	50	15	20	M12 x 1.75	0.02	8.39
0-10000	50	12.5	25	M12 x 1.75	0.04	13
0-20000	50	12.5	25	M12 x 1.75	0.04	18
0-50000	56	18	20	M16 x 2.0	0.03	25

All dimensions in mm



Ordering Codes:

Core Product	Capacity (inc Engineering Units)	Cable Length (m)	Specials Code	Example Result
DDE	100N	002	000	DDE-100N-002-000
DDE	250N	002	000	DDE-250N-002-000
DDE	500N	002	000	DDE-500N-002-000
DDE	1000N	002	000	DDE-1000N-002-000
DDE	2500N	002	000	DDE-2500N-002-000
DDE	5000N	002	000	DDE-5000N-002-000
DDE	10,000N	002	000	DDE-10,000N-002-000
DDE	20,000N	002	000	DDE-20,000N-002-000
DDE	50,000N	002	000	DDE-50,000N-002-000



APPLIED MEASUREMENTS LTD.
Transducer Specialists...

+44 (0) 118 981 7339

info@appmeas.co.uk

www.appmeas.co.uk

Associated Products:



[TR150 Handheld Indicator](#)



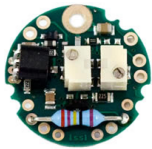
[T24 Wireless Telemetry Range](#)



[Intuitive4-L Panel-Mount Indicator](#)



[DSC-USB USB Signal Digitiser](#)



[ICA Miniature Strain Gauge Amplifier](#)



[SGA Signal Conditioner/Amplifier](#)

Mounting and Installation Accessories:

Helping You Get The Best Possible Performance From Your Load Cell.

Rod End Bearings for Tension Use

Designed to align forces through the principle axis of the load cell thus reducing the effects of extraneous forces, hence offering improved performance from the cell.

Rod End Bearings are used where tensile forces are being applied.

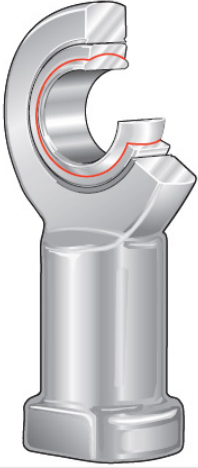
Maintenance-free rod ends are a complete units made up of a housing with both an integral shank (with an internal or external thread) and a maintenance-free spherical plain bearing, located within the housing.

Key Features:

- Supports radial loads in a tensile or compressive direction.
- Suitable for unilateral loads - can support alternating loads and alternating loads in combination with bearing GE..UK-2RS, please consult sales.
- Zinc plated for corrosion resistance.
- Are maintenance-free.
- Fitted with radial spherical plain bearings GE..UK
- Hard chromium/PTFE composite sliding contact surfaces.
- Enables compact adjacent construction thanks to its thin walled design of the eye housing.



Dimensions in mm:

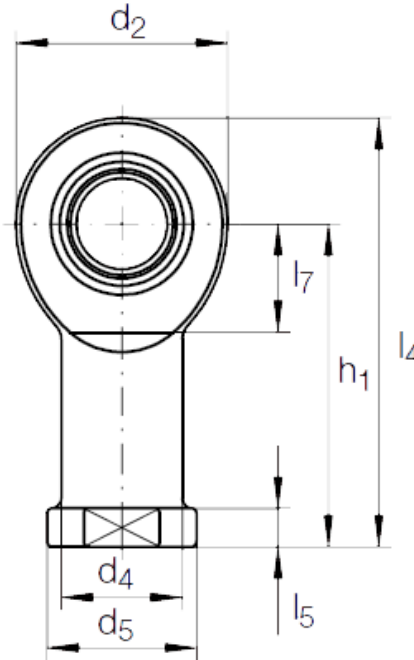
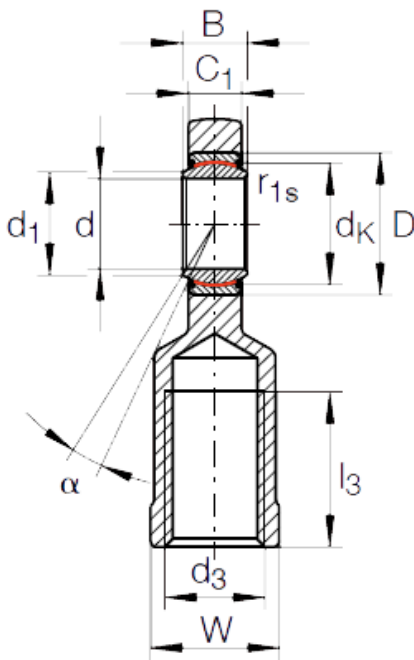


GIR..UK
(right hand thread)

- To ISO 12 240-4, dimension series E, type F
- Shank with internal thread

Maintenance-free
ISO 12 240-4, dimension series E, type F
Sliding contact surface: hard chromium/PTFE

Series GIR..UK
Sliding material: PTFE composite



LOAD CELL	SHAFT DIAMETER	ORDERING CODE		MASS ≈ kg	DIMENSIONS								
		WITHOUT SEALS	WITH SEALS		d	D	B	dk	d1	d2	d3	d4	h1
DDE-100N to 20kN	12	GIR 12 UK	-	0.096	12 _{-0.008}	22	10 _{-0.12}	18	14.9	34	M12	17.5	50
DDE-50kN	17	GIR 17 UK	-	0.22	17 _{-0.008}	30	14 _{-0.12}	25	20.7	46	M16	24	67

LOAD CELL	C1	Degrees α	Lengths					Chamfer Dimension r1s min.	Basic Load Ratings		Radial Internal Clearance	Shaft Diameter d	
			l3	l4	l5	l7	d5		W	dyn. Cr N			stat. C0r N
DDE-100N to 20kN	8	11	23	67	6.5	18	22	19	0.3	11 400	30 400	0 - 0.032	12
DDE-50kN	11	10	34	90	10	23	30	27	0.3	22 400	56 500	0 - 0.04	17