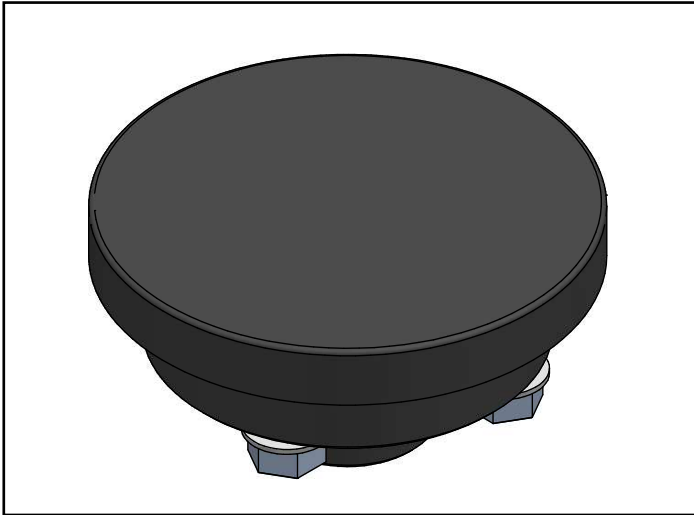


Self-levelling Compression Plates, QC fitting



Description

Hardened steel compression plates have a smooth, scratch-proof surface ideal for compression testing on samples that could damage a standard compression plate. Self-levelling allows parallelism to be set for those applications where it is critical to accurately measure the deformation of a sample, or where the sample has faces that are not exactly parallel and conventional plates would put an undue load on a very small area, causing a premature failure.

Applications

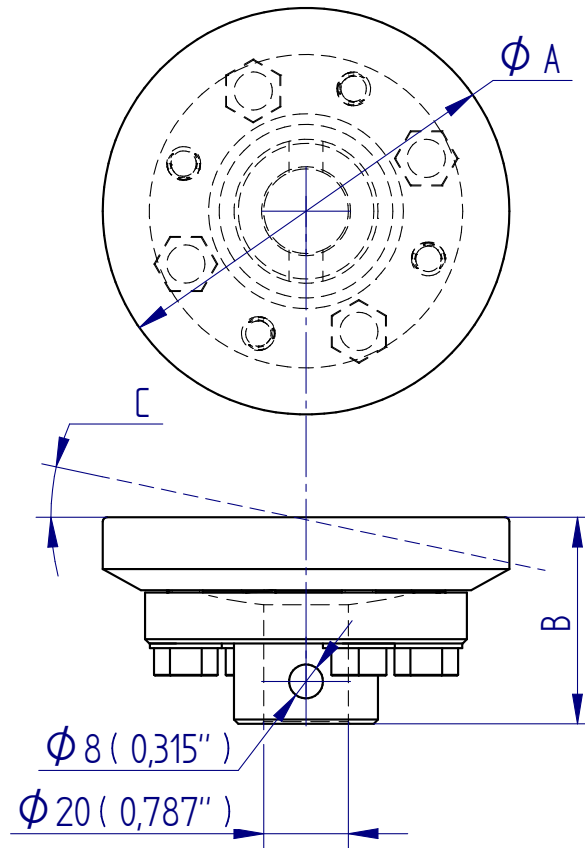
Used for compression testing of:

- springs
- cans
- polymer foams
- curved-face samples

Specifications

| Part No. | Load Capacity | | | Post Ø | Diameter (ØA) | | Height (B) | | Weight | |
|----------|---------------|---------|----------|--------|---------------|-------|------------|-------|--------|--------|
| | 5 kN | 500 kgf | 1100 lbf | | 100 mm | 3.94" | 82 mm | 3.22" | 3.3 kg | 7.3 lb |
| 432-353 | 5 kN | 500 kgf | 1100 lbf | QC20 | 100 mm | 3.94" | 82 mm | 3.22" | 3.3 kg | 7.3 lb |

Dimensions mm (inch)



FS 58553

DISTRIBUTOR STAMP

DS-1010-01

Mecmesin reserves the right to alter equipment specifications without prior notice. E&OE

Head Office Mecmesin Limited

w: www.mecmesin.com
e: sales@mecmesin.com

North America Mecmesin Corporation

w: www.mecmesincorp.com
e: info@mecmesincorp.com

France Mecmesin France

w: www.mecmesin.fr
e: contact@mecmesin.fr

Asia Mecmesin Asia Co., Ltd

w: www.mecmesinasia.com
e: sales@mecmesinasia.com

Germany Mecmesin GmbH

w: www.mecmesin.de
e: info@mecmesin.de

China Mecmesin (Shanghai) Pte Ltd

w: www.mecmesin.cn
e: sales@mecmesin.cn