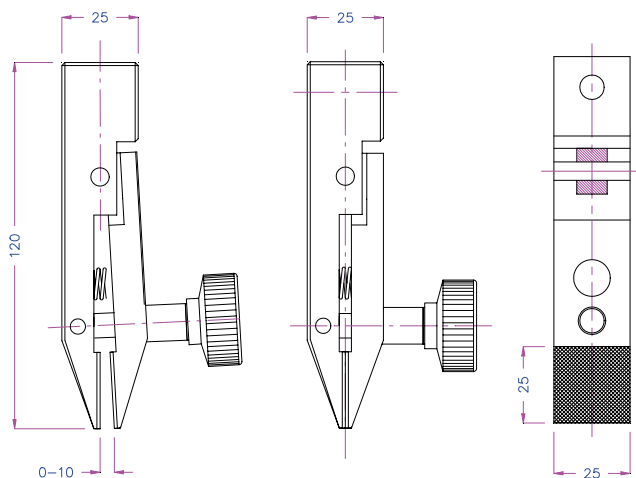


2 kN pinch grip, QC fitting

Versatile, easy to use. Applicable for small components, for example electronic components.

Clamping surfaces serrated on both sides (pyramids).

• Item No	MecS470
• Tensile force	2 kN
• Opening	0 - 10 mm
• Jaws	Pyramid jaws, 1.2 x 45°
• Clamping surface HxW	25 x 25 mm
• Body	Hardened steel, phosphate coated
• Temperature range	0 to +130°C -70 to +280°C (MecS470-Ni)
• Weight	452 gram
• Scope of delivery	1 piece



Similar grips



MecS341



MecS205k



FS 58553



DISTRIBUTOR STAMP

DS-1061-01

Mecmesin reserves the right to alter equipment specifications without prior notice. E&OE

Head Office
Mecmesin Limited

w: www.mecmesin.com
e: sales@mecmesin.com

North America
Mecmesin Corporation

w: www.mecmesincorp.com
e: info@mecmesincorp.com

France
Mecmesin France

w: www.mecmesin.fr
e: contact@mecmesin.fr

Asia
Mecmesin Asia Co., Ltd

w: www.mecmesinasia.com
e: sales@mecmesinasia.com

Germany
Mecmesin GmbH

w: www.mecmesin.de
e: info@mecmesin.de

China
Mecmesin (Shanghai) Pte Ltd

w: www.mecmesin.cn
e: sales@mecmesin.cn