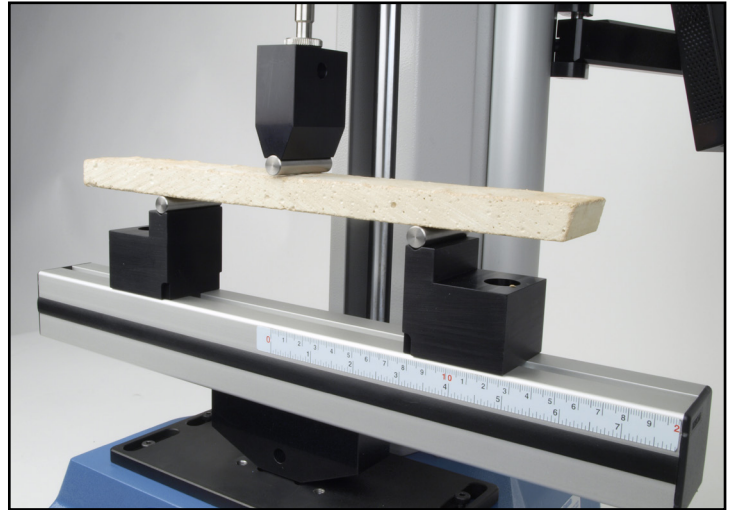


2.5 kN 3-Point Bend Jig



Description

The 2.5 kN 3-point bend jig is an easy-to-use fixture that relies on the test machine to maintain alignment between the top and bottom parts.

Applications

Used to determine the flexural properties of rigid and semi-rigid materials:

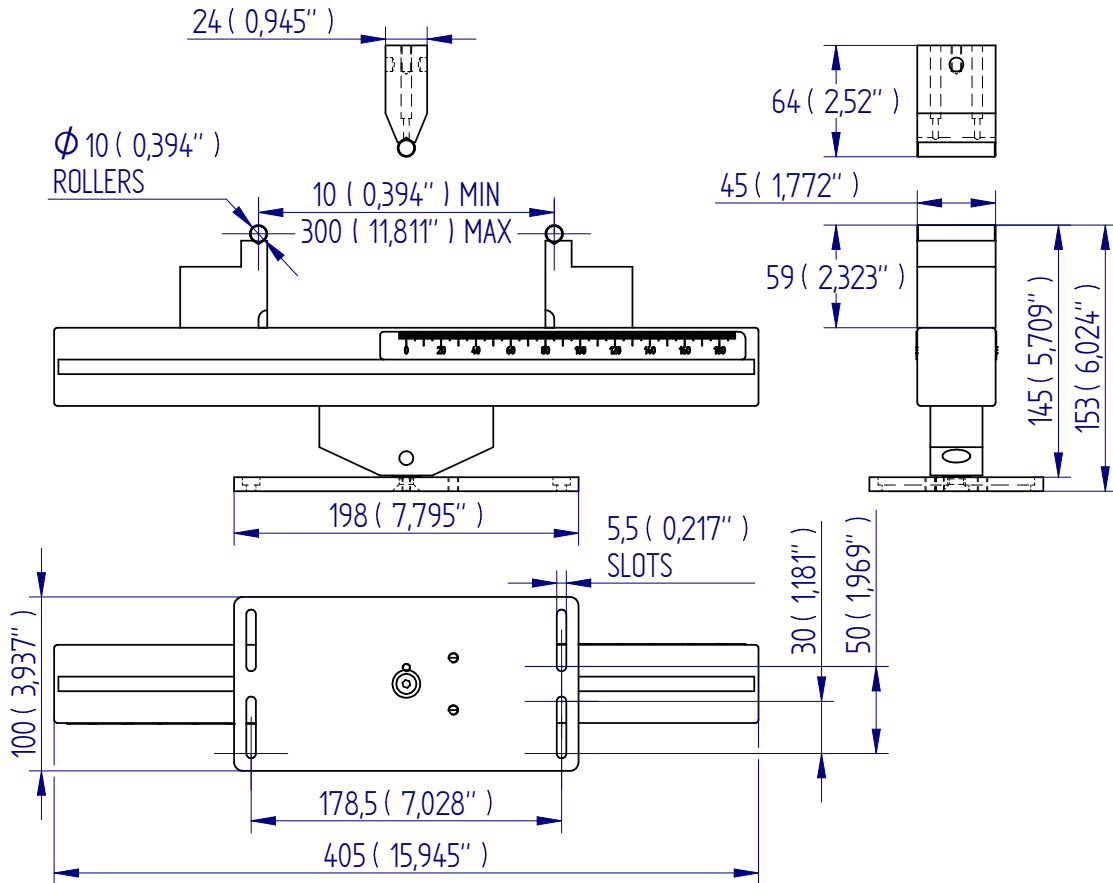
- ceramics
- glass
- composites
- plastics
- flexible sheet materials
- wood
- films

Specifications

Part No.	Load Capacity			Thread	Anvil Width		Anvil Radius		Bending Span		Length		Weight	
	2.5 kN	250 kgf	550 lbf		45 mm	1.77"	10 mm	0.4"	10 mm - 300 mm	0.39" - 11.81"	405 mm	15.9"	--	--
432-151	2.5 kN	250 kgf	550 lbf	M6	45 mm	1.77"	10 mm	0.4"	10 mm - 300 mm	0.39" - 11.81"	405 mm	15.9"	--	--

Dimensions mm (inch)

DRAWING IS INDICATIVE ONLY



FS 58553

DISTRIBUTOR STAMP

Mecmesin reserves the right to alter equipment specifications without prior notice. E&OE

Head Office
Mecmesin Limited

w: www.mecmesin.com
e: sales@mecmesin.com

North America
Mecmesin Corporation

w: www.mecmesincorp.com
e: info@mecmesincorp.com

France
Mecmesin France

w: www.mecmesin.fr
e: contact@mecmesin.fr

Asia
Mecmesin Asia Co., Ltd

w: www.mecmesinasia.com
e: sales@mecmesinasia.com

Germany
Mecmesin GmbH

w: www.mecmesin.de
e: info@mecmesin.de

China
Mecmesin (Shanghai) Pte Ltd

w: www.mecmesin.cn
e: sales@mecmesin.cn