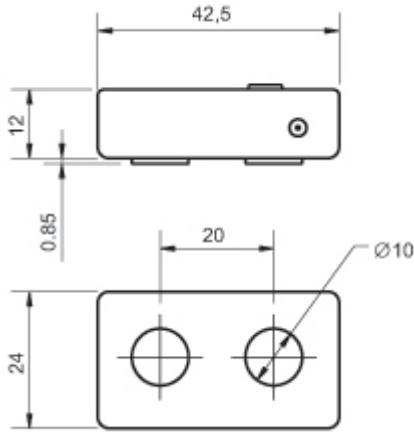


# DataLITE Wireless EMG Specifications



	<b>DataLITE Wireless Surface EMG LE230</b>
<b>Electrodes</b>	Integral dry reusable
<b>Gain</b>	Standard unit 1000
<b>Bandwidth</b>	5Hz – 495Hz
<b>Noise</b>	< 5 $\mu$ V
<b>Input Impedance</b>	> 10,000,000 M Ohms
<b>CMRR @ 60Hz (dB)</b>	> 96dB (typically 110dB)
<b>Mass</b>	17g
Electrostatic Discharge Circuit protected	

Biometrics Ltd Surface EMG Sensors, instrumentation, and software are designed with maximum versatility in mind:

- > Up to 24 channels of EMG data display, collection, and analysis
- > User selectable sampling frequency set per channel of 500Hz, 1000Hz or 2000Hz
- > Easily combine EMG data with other sensors such as goniometers and forceplates
- > Collect data real-time to the computer
- > Comprehensive Analysis software with real-time display and analysis
- > Readily synchronize EMG data with other systems/software

- DLL dynamic link library streams data real time as it is collected to third party software, for example LabView or video motion analysis system software
- > Differential sensor with the highest input impedance in the industry minimizes noise to signal ratio providing superb signal detection
- > Integral electrodes with fixed inter-electrode distance give consistent high quality results
- > Operates from a rechargeable Li-Ion Polymer Battery with integrated charging control
- > Fully charged battery life in excess of 8 hours
- > Wireless transmission data loss tolerant for 120mS