

10 kN Wedge Grip

MecS622 grips are supplied in pairs, but can also be ordered as single grip.

Grips and jaws need to be ordered separately.

Item No.	Mec S622
Tensile force	10 kN
Temperature range	0°C - + 130°C -70°C - + 280°C (MecS622-Ni)
Body	Steel, phosphated
Weight per grip	1.83kg each grip (without jaws)

Jaws for Mec S622
Scope of delivery 1 Set = 4 jaws

Item No.	Jaw surface	Clamping surface H x W	Opening	Weight / pair
MecS622-BP	Pyramid jaws	34x40mm	0-9 mm	0.42kg
MecS622-BV	V-jaws	Clamping height 40 mm	3-9 mm Ø	0.43kg

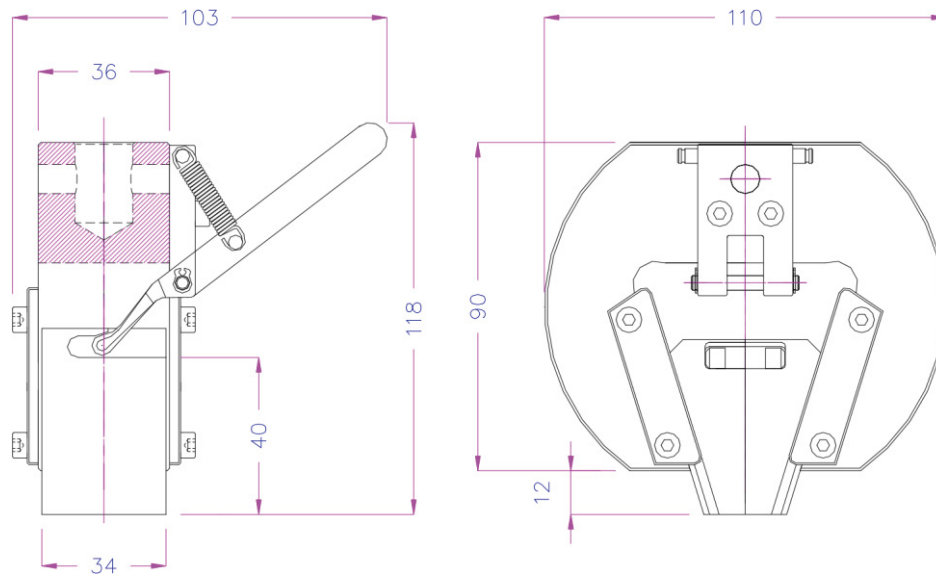


Mec S622 -BP:
Pyramids 1x45°,
hardened steel

Mec S622 -BV:
Tooth pitch 1.2 mm,
hardened steel

Jaw faces with differing dimensions and surfaces available on request.

Dimensions mm



FS 58553

DISTRIBUTOR STAMP

DS-1080-01

Mecmesin reserves the right to alter equipment specifications without prior notice. E&OE

Head Office
Mecmesin Limited

w: www.mecmesin.com
e: sales@mecmesin.com

North America
Mecmesin Corporation

w: www.mecmesincorp.com
e: info@mecmesincorp.com

France
Mecmesin France

w: www.mecmesin.fr
e: contact@mecmesin.fr

Asia
Mecmesin Asia Co., Ltd

w: www.mecmesinasia.com
e: sales@mecmesinasia.com

Germany
Mecmesin GmbH

w: www.mecmesin.de
e: info@mecmesin.de

China
Mecmesin (Shanghai) Pte Ltd

w: www.mecmesin.cn
e: sales@mecmesin.cn