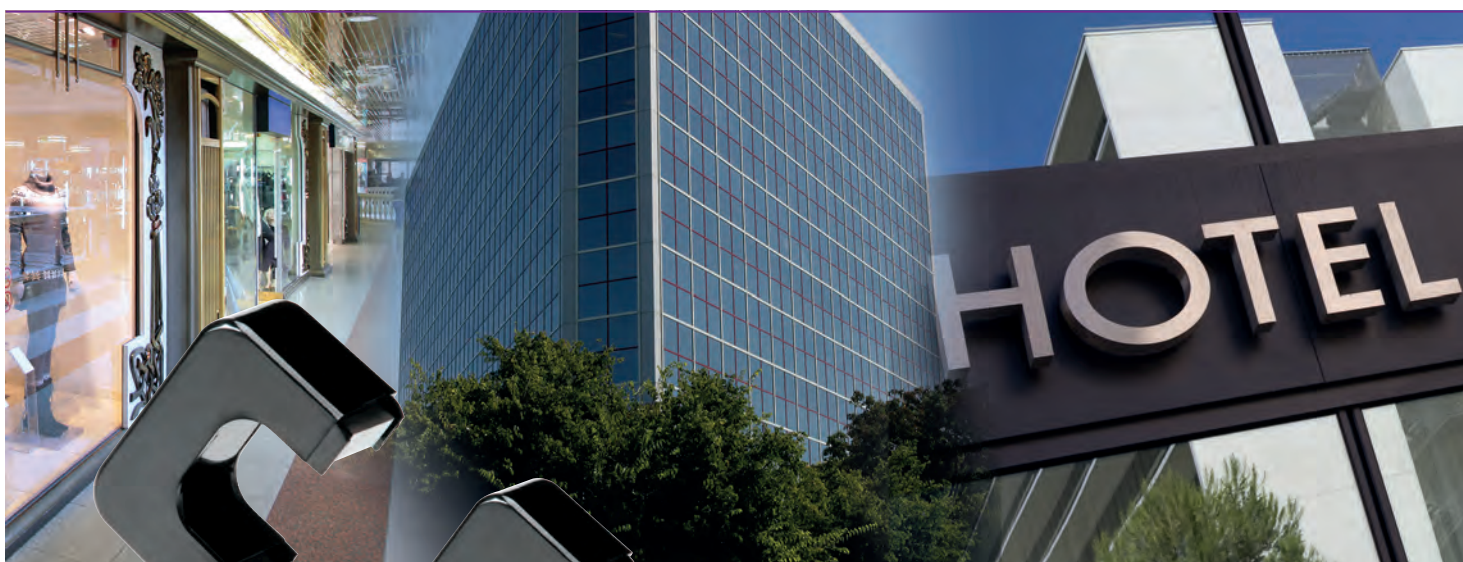


TC CLIP

Current transformers



Split
core

- Primary from 60 to 600 A
- Small size
- Built-in short-circuiting switch
- Reinforced hinge

TC CLIP

Current transformers

Choose your TC CLIP

	TCC 176	TCC 241	TCC 242	TCC 364	TCC 366
Primary	60 A	100 A	250 A	400 A	600 A
Secondary	1 A				
Power	0.2 VA	0.5 VA			
Accuracy class	3 %	1 %			
Diameter	17 mm	24 mm	24 mm	36 mm	36 mm
Size (mm)	64 x 33 x 34.4	74.5 x 45 x 34	74.5 x 45 x 34	91 x 57 x 40.5	91 x 57 x 40.5
Weight (g)	128	162	187	263	300

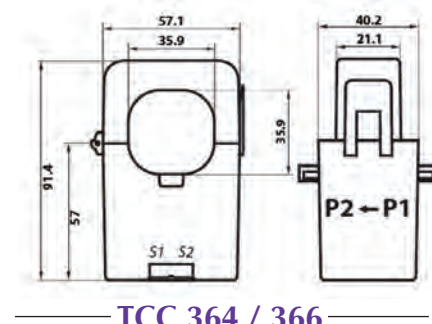
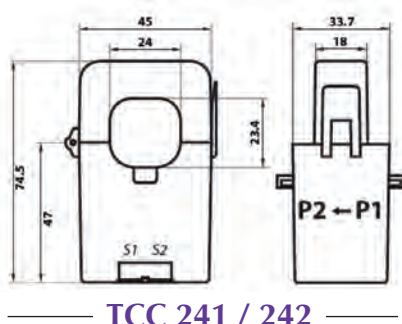
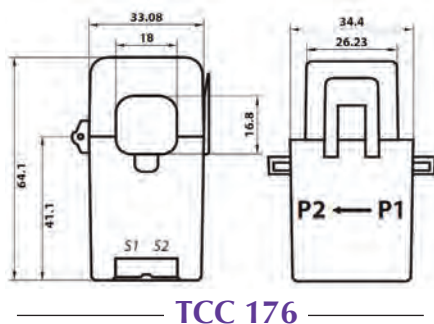
General specifications

Highest network voltage	720 Vac
Dielectric test voltage	3 kV 50 Hz 1 min
Frequency	50 / 60 Hz
Operating temperature	-20 °C to +55 °C
Storage temperature	-30 °C to +90 °C

The TC CLIP models are compatible with all measurement products available on the market with input on a CT. In particular, they are ideal for use with the ENERIUM power monitors and ULYS submeters from ENERDIS®.



Dimensions



To order

Individual TC CLIPs

Model	Primary	Reference
TCC 176	60 A	P01379609
TCC 241	100 A	P01379601
TCC 242	250 A	P01379602
TCC 364	400 A	P01379603
TCC 366	600 A	P01379604



Pack of 3 TC CLIP

Model	Primary	Reference
Pack of 3 x TCC 176	60 A	P01379610
Pack of 3 x TCC 241	100 A	P01379605
Pack of 3 x TCC 242	250 A	P01379606
Pack of 3 x TCC 364	400 A	P01379607
Pack of 3 x TCC 366	600 A	P01379608



FRANCE
Enerdis
 16, rue Georges Besse - Silic 44
 92182 ANTONY Cedex
 Tél : +33 1 75 60 10 30
 Fax : +33 1 46 66 62 54
 info@enerdis.fr
 www.enerdis.fr

UNITED KINGDOM
Chauvin Arnoux Ltd
 Nelson Ct, Flagship Sq, Shaw Cross Business Pk
 Dewsbury, West Yorkshire - WF12 7TH
 Tél: +44 1924 460 494
 Fax: +44 1924 455 328
 info@chauvin-arnoux.co.uk
 www.chauvin-arnoux.com

MIDDLE EAST
Chauvin Arnoux Middle East
 P.O. BOX 60-154
 1241 2020 JAL EL DIB - LEBANON
 Tél: +961 1 890 425
 Fax: +961 1 890 424
 camie@chauvin-arnoux.com
 www.chauvin-arnoux.com

CHAUVIN
ARNOUX
 GROUP