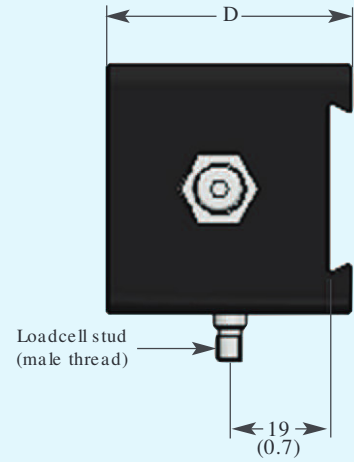
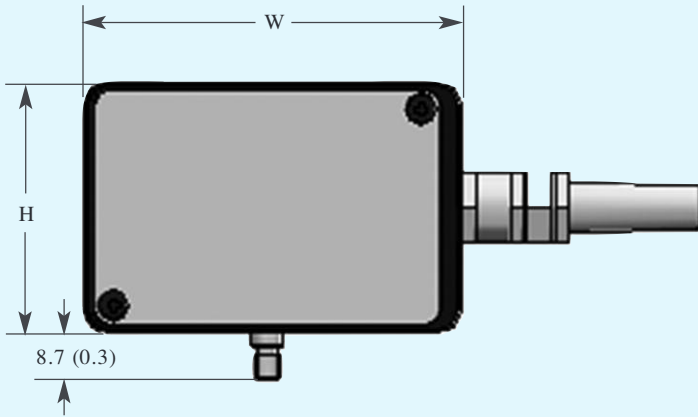


Intelligent Loadcell ILC

NOTE: Compatible with all test stands of equal or higher capacity than loadcell.

Requires adaptor 432-256 to fit to MultiTest 10-xt, 25-xt & 50-xt.



All measurements are in millimetres and (inches)

ILC capacity	Part No.	Thread	Overall daylight reduction	Loadcell width (W)	Loadcell depth (D)	Loadcell height (H)	Total daylight reduction using twin-column dovetail (432-256)
2N	879-009	#10-32UNF	15 (0.59)	72 (2.8)	46.5 (1.8)	48 (1.9)	99 (3.9)
5N	879-010	#10-32UNF	15 (0.59)	72 (2.8)	46.5 (1.8)	48 (1.9)	99 (3.9)
10N	879-001	#10-32UNF	15 (0.59)	72 (2.8)	46.5 (1.8)	48 (1.9)	99 (3.9)
25N	879-002	#10-32UNF	15 (0.59)	72 (2.8)	46.5 (1.8)	48 (1.9)	99 (3.9)
50N	879-003	#10-32UNF	15 (0.59)	72 (2.8)	46.5 (1.8)	48 (1.9)	99 (3.9)
100N	879-004	#10-32UNF	15 (0.59)	72 (2.8)	46.5 (1.8)	48 (1.9)	99 (3.9)
250N	879-005	#10-32UNF	15 (0.59)	72 (2.8)	46.5 (1.8)	48 (1.9)	99 (3.9)
500N	879-006	#10-32UNF	15 (0.59)	72 (2.8)	46.5 (1.8)	48 (1.9)	99 (3.9)

See page 3 for ILS-S loadcells (100N to 5000N)

ILC Load Measurement Accuracy

% of full scale (fs)	N
±0.1% fs	2N - 500N