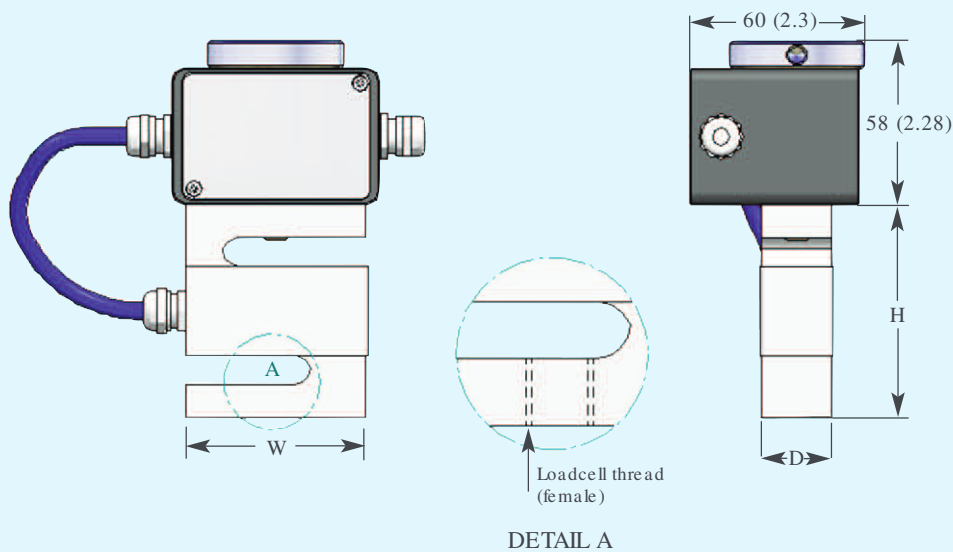


MultiTest 10-xt & 25-xt

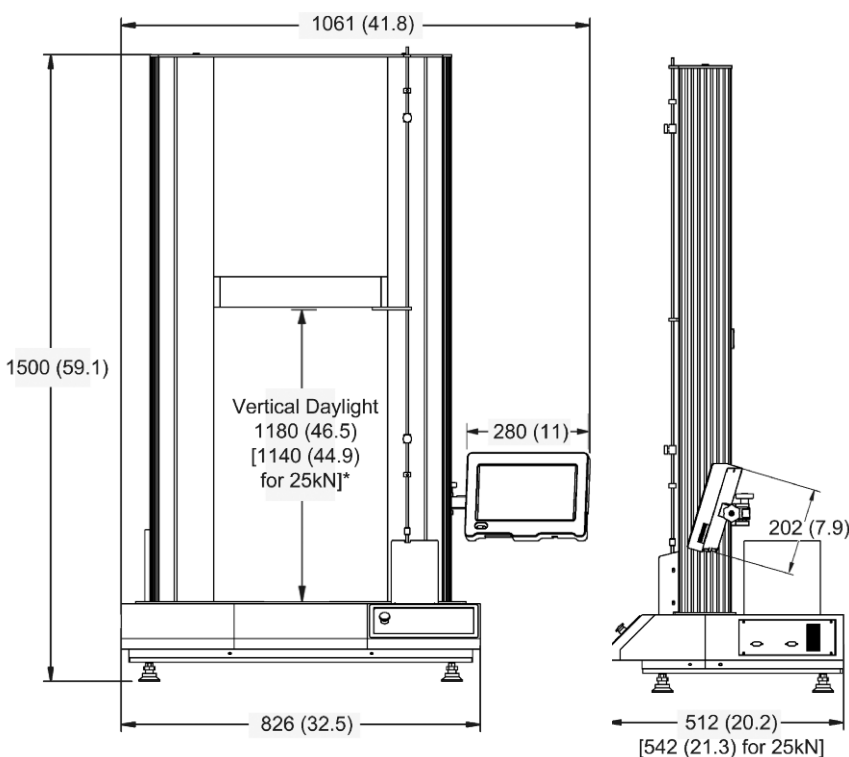
Intelligent Loadcell ILC-T

For use with twin-column stands only



ILC-T capacity	Part No.	Thread	Overall daylight reduction	Loadcell width (W)	Loadcell depth (D)	Loadcell height (H)
10kN	879-025	M12 x 1.75	134 (5.3)	51 (2)	25 (0.98)	76 (2.9)
25kN	879-026	M16 x 2	147 (5.8)	76 (2.9)	38 (1.5)	89 (3.5)

All measurements are in millimetres and (inches)



Note: Adaptors are supplied to allow fitting of ILC and ILC-S / T loadcells directly to moving crosshead

Twin-Column Dovetail Adaptor

NOTE: For use with ILC and ILC-S
Supplied as standard with MultiTest 10-xt & 25-xt

Rated capacity	Part No.
5kN	432-256



ILC-T Load Measurement Accuracy

% of full scale (fs)	N
±0.2% fs	10kN - 25kN

* measured without loadcell or grips