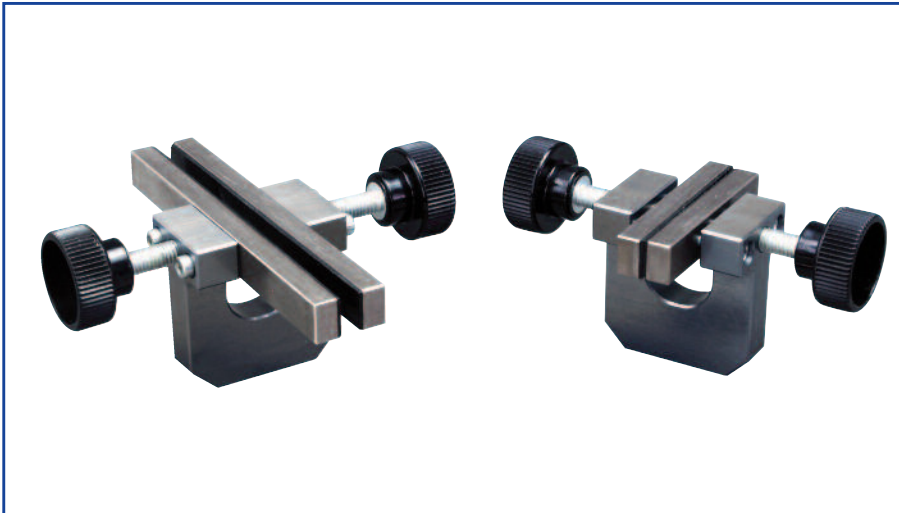


Lightweight Double-action Vice Grip



Shown testing plastic film

Description

These lightweight vice grips are available with a jaw width of 25mm, 50mm or 100mm, and a choice of either metal pyramid or rubber coated faces. They are suitable for holding small, delicate samples particularly when using low capacity load-cells. The double-action of the vice allows for a small amount of lateral adjustment so that samples are aligned correctly. The large, knurled thumb-screws are used to tighten the vice, so that samples are gripped firmly but without damage. These grips are commonly used with the chain link assembly, to allow samples to be fitted away from the loadcell, minimising the risk of damaging the loadcell when tightening the grip.

Applications

Used for testing of:

- light fabrics
- foils
- plastic films
- card & tissue

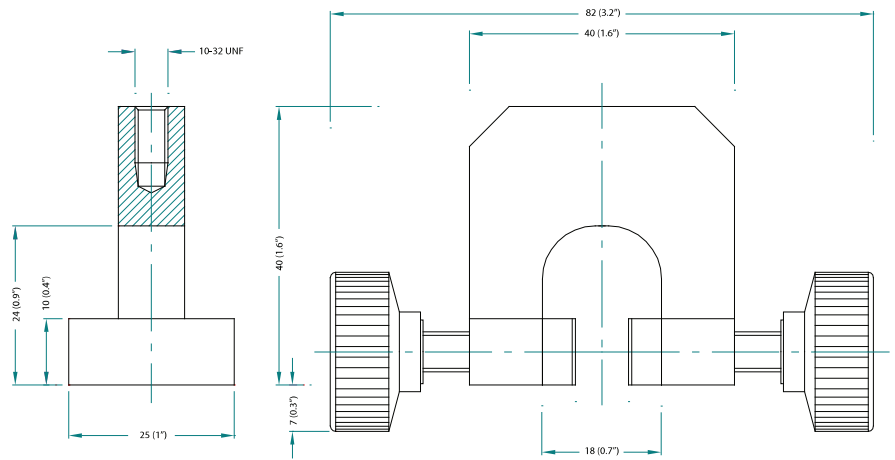
Specifications

| Maximum Capacity | Maximum Specimen Dimensions | | Height |
|---------------------|-----------------------------|--------------------|-------------|
| | Jaw Width | Thickness | |
| 100N (10kgf, 22lbf) | 25, 50 or 100mm | See table overleaf | 47mm (1.8") |

| | |
|--|------|
| Accessory Part Nos. 432-430 fitted with 25mm wide pyramid jaws | 90g |
| 432-430-V01 fitted with 25mm wide rubber jaws | 90g |
| 432-431 fitted with 50mm wide pyramid jaws | 110g |
| 432-431-V01 fitted with 50mm wide rubber jaws | 110g |
| 432-432 fitted with 100mm wide pyramid jaws | 160g |
| 432-432-V01 fitted with 100mm wide rubber jaws | 160g |

Dimensions mm (inch)

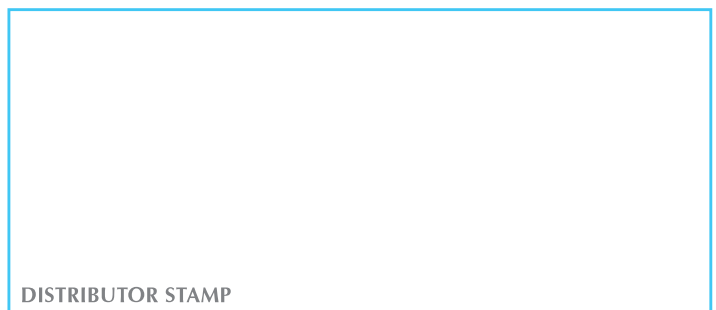
| Jaw width & type | Opening |
|---------------------|---------|
| 25mm Pyramid | 0 - 8mm |
| 25mm Rubber Coated | 0 - 6mm |
| 50mm Pyramid | 0 - 6mm |
| 50mm Rubber Coated | 0 - 4mm |
| 100mm Pyramid | 0 - 6mm |
| 100mm Rubber Coated | 0 - 4mm |



Adaptors

| To fit to: | Adaptor Type and (Part Number)* |
|--|-----------------------------------|
| Loadcells | |
| XLC-T/ILC-T 25kN | Not suitable |
| XLC-T/ILC-T 10kN, XLC-S/ILC-S 2500N, 5000N | Not suitable |
| XLC-S/ILC-S 1000N | 10-32 to 5/16 - F to F (432-329) |
| XLC-S/ILC-S 100N, 200N, 500N | 10-32 to M6 - F to F (432-417) |
| Force Gauge with 5/16 UNC Thread | T10-32 to 5/16 - F to F (432-329) |
| ILC/Force Gauge 10/32 UNF Thread | None required |
| Test Stands | |
| MultiTest 10kN/25kN | Fits directly to anvil plate |
| MultiTest 1kN/2.5kN/5kN | Fits directly to anvil plate |

* For further information please see Adaptor Datasheet



431-354-34

Mecmesin reserves the right to alter equipment specifications without prior notice.

Head Office
Mecmesin Limited
 Newton House, Spring
 Copse Business Park,
 Slinfold, West Sussex,
 RH13 0SZ, UK.
 e. sales@mecmesin.com
 t. +44 (0) 1403 799979
 f. +44 (0) 1403 799975

North America
Mecmesin Corporation
 45921 Maries Road,
 Suite 120, Sterling
 Virginia 20166,
 U.S.A.
 e. info@mecmesincorp.com
 t. +1 703 433 9247
 f. +1 703 444 9860

Asia
Mecmesin Asia Co. Ltd
 9/1 Chaiyo Building, 11th Floor,
 Room 1106, Rama 9 Road,
 Huaykwang, Bangkok, 10310,
 Thailand.
 e. sales@mecmesinasia.com
 t. +66 2 247 46 81
 f. +66 2 247 46 82

China
Mecmesin (Shanghai) Pte Ltd
 Room 302, No. 172,
 Daxue Lu - University Avenue,
 Yangpu District, Shanghai, 200433,
 People's Republic of China.
 e. sales@mecmesinchina.com
 t. +86 21 5566 1037 / 3377 1733
 f. +86 21 5566 1036