

# FUTEK MODEL LSB200 (L2357)

# S-BEAM JUNIOR LOAD CELL

DESIGNED FOR INLINE LOADING IN TENSION & COMPRESSION  
AVAILABLE IN #4-40 AND M3x0.5 METRIC THREADS

Drawing Number: FI1041-D

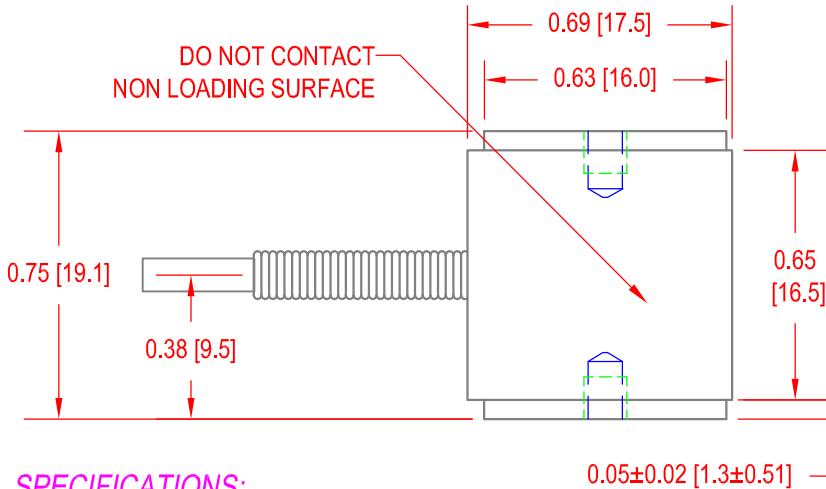
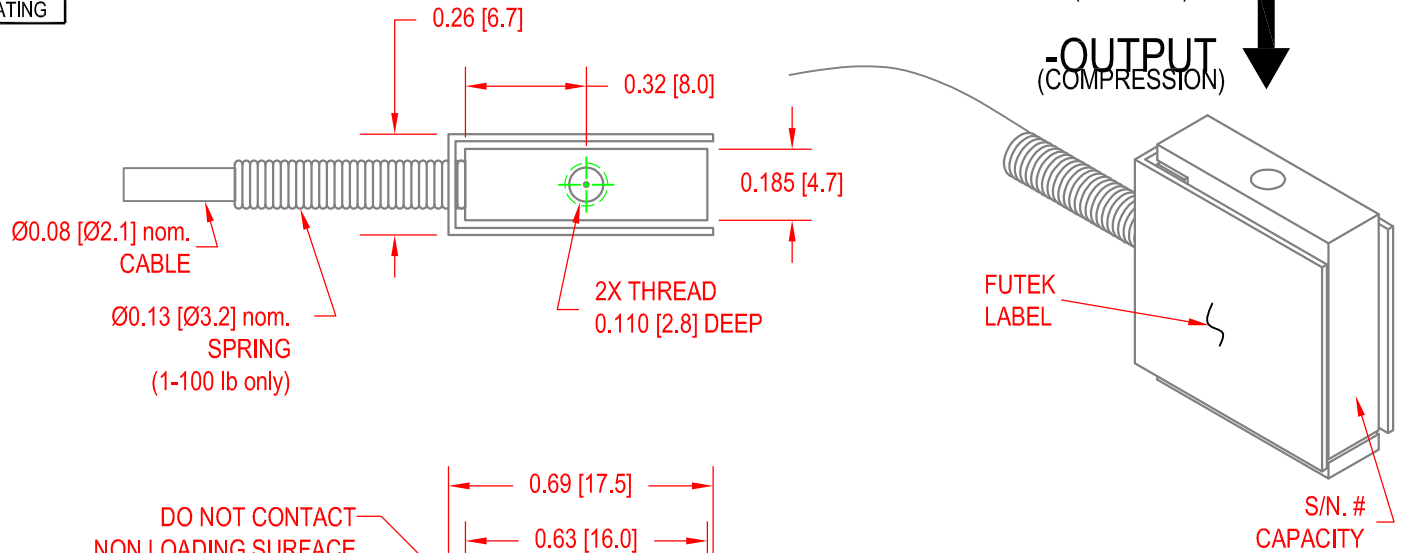
INCH [mm] R.O.= Rated Output

WIRING CODE (WC1)

+Excitation	-Excitation	+Signal	-Signal
RED	BLACK	GREEN	WHITE

Shield
FLOATING

+OUTPUT (TENSION) ↑  
-OUTPUT (COMPRESSION) ↓



Stock #	Capacity lb (N)	Thread Size	R.O. (nom.)	BRIDGE RESISTANCE	SHUNT CAL. VALUE	
FSH02534	10g	#4-40	0.5 mV/V	1000 $\Omega$ nom.	301K $\Omega$	
FSH02319	(0.1)	M3x0.5				
FSH02666	20g	#4-40	1 mV/V			
FSH02667	(0.2)	M3x0.5				
FSH02535	50g	#4-40	2 mV/V			150K $\Omega$
FSH02663	(0.5)	M3x0.5				
FSH02536	100g	#4-40				
FSH02664	(1.0)	M3x0.5				
FSH02602	250g	#4-40				
FSH02665	(2.5)	M3x0.5				
FSH00091	1	#4-40	350 $\Omega$ nom.	60.4K $\Omega$		
FSH00101	(4.5)	M3x0.5				
FSH00092	2	#4-40				
FSH00102	(8.9)	M3x0.5				
FSH00093	5	#4-40				
FSH00103	(22.2)	M3x0.5				
FSH00095	10	#4-40	350 $\Omega$ nom.	60.4K $\Omega$		
FSH00104	(44.5)	M3x0.5				
FSH00096	25	#4-40				
FSH00105	(111)	M3x0.5				
FSH00097	50	#4-40				
FSH00106	(222)	M3x0.5				
FSH00098	100	#4-40	350 $\Omega$ nom.	60.4K $\Omega$		
FSH00107	(445)	M3x0.5				

## SPECIFICATIONS:

RATED OUTPUT  
SAFE OVERLOAD

SEE CHART  
1000% of R.O.  
200% of R.O. Tension Only (50-100 lb)\*  
 $\pm 3\%$  of R.O.,  $\pm 5\%$  of R.O. (10-20g)

ZERO BALANCE\*\*  
EXCITATION (VDC OR VAC)  
BRIDGE RESISTANCE

10 Max  
SEE CHART

NONLINEARITY  
HYSTERESIS

$\pm 0.1\%$  of R.O.  
 $\pm 0.1\%$  of R.O.

NONREPEATABILITY

$\pm 0.05\%$  of R.O.

TEMP. SHIFT ZERO

$\pm 0.01\%$  of R.O./°F [0.018% of R.O./°C]

TEMP. SHIFT SPAN

$\pm 0.02\%$  of LOAD/°F [0.036% of LOAD/°C]

COMPENSATED TEMP.

60 to 160°F [15 to 72°C]

OPERATING TEMP.

-60 to 200°F [-50 to 93°C]

MATERIAL

ALUMINUM (10g-10lb), STAINLESS STEEL (25-100lb)

WEIGHT

0.3 oz [9 g]

DEFLECTION

0.003-0.005 [0.07-0.13]

IP RATING

IP40

CABLE: #29 AWG, 4 Conductor, Spiral Shielded Silicone Cable, 5 ft [1.5 m] Long

ACCESSORIES AND RELATED INSTRUMENTS AVAILABLE

CALIBRATION (STD)

5 pt TENSION; SEE CHART FOR SHUNT CAL VALUE.

CALIBRATION (AVAILABLE)

COMPRESSION

CALIBRATION TEST EXCITATION

5 VDC

\*SENSOR STRUCTURE CAN HANDLE HIGH OVERLOADS BUT #4-40 and M3x0.5

THREADS MAY LIMIT OVERLOAD AT HIGHER CAPACITY

\*\* ZERO BALANCE IS BASED ON LAYING SENSOR ON ITS SIDE (THREADS HORIZONTAL)

**FUTEK**  
ADVANCED SENSOR TECHNOLOGY, INC.

This drawing is submitted solely for the information and exclusive use of the original addressee. It is not to be divulged in whole or in part, by any firm or individual without written permission from FUTEK

10 THOMAS  
IRVINE, CA 92618 USA  
1-800-23-FUTEK (38835)

INTERNET:  
<http://www.futek.com>