

TEMPERATURE SENSOR

Smoke box

To measure the temperature in an extreme environment
Withstands high temperatures and the high concentration of clinker dust

- ▶ Temperature withstand up to 1,300°C
- ▶ Resistant to shocks and vibrations
- ▶ Sensor configurable to meet your needs



Design your sensor to fit your requirements

Technical specifications

▶ Connecting head

IP 54 to IP65 DIN head with cable gland M20 x 1.5

▶ Electrical connection

| Possible versions |
|---|
| 2-terminal or 4-terminal ceramic terminal block |
| 4-20 mA transmitter |

▶ Measuring element

| Possible versions | | |
|-------------------|-------------------------------|-------------------|
| Nature | Sheath | Temperature range |
| K thermocouple | Inconel 600 | 600°C to 1,100°C |
| S thermocouple | Insulator 710 + lining sheath | from 1,100°C |


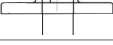

▶ Extension

| Possible versions |
|-----------------------------|
| 316L stainless-steel sleeve |
| Refractory steel sleeve |

▶ Sensor protector

| Possible versions | | | |
|-------------------|--------------------------------------|-----------------------|---------------------------------|
| Material | Atmosphere | Operating temperature | Dimensions |
| Chromium steel | Oxidizing or sulphurous | 800°C - 1,100°C | L1 ≥ 500 mm Ø D: 20 to 45 mm |
| Inconel Alloy | Sulphurous or carburizing, corrosive | 1,100°C - 1,300°C | L1 ≥ 500 mm Ø D: 20 to 45 mm |

▶ Process connection

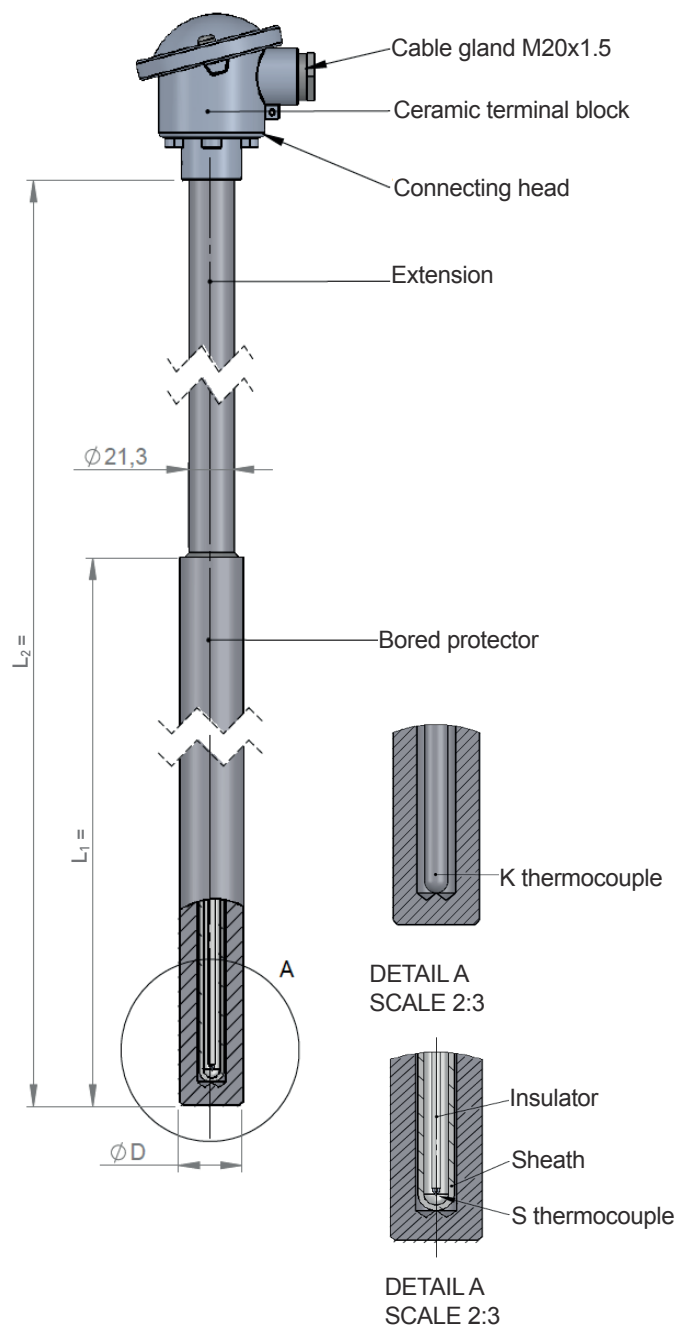
| Possible versions | |
|-------------------------------|---|
| Bell connector |  |
| EBA flange |  |
| Leakproof screw-on connection |  |

Other mounting systems: please contact us

Other specifications

Specific features: our R&D department can produce tailored temperature sensors according to your specifications.

Design diagram



INTERNATIONAL

Pyrocontrole
6 bis, av du Docteur Schweitzer
69881 MEYZIEU Cedex
Tel.: +33 4 72 14 15 40
Fax: +33 4 72 14 15 41
export@pyrocontrole.com
www.pyrocontrole.com

USA

Chauvin Arnoux Inc
d.b.a AEMC Instruments
200 Foxborough Blvd.
Foxborough - MA 02035
Tel.: +1 (508) 698-2115
Fax: +1 (508) 698-2118
sales@aemc.com
www.aemc.com

CHINA

Shanghai Pu-Jiang
Enerdis Instruments Co. Ltd
3 F, 3 rd Building
N° 381 Xiang De Road
200081 SHANGHAI
Tél. : +86 21 65 21 51 96
Fax : +86 21 65 21 61 07
info@chauvin-arnoux.com.cn