

Compact Force Gauge+ (CFG+)

- Accuracy $\pm 0.5\%$ of full scale
- Peak hold in tension and compression
- Selectable units of measurement
N, mN, lbf, ozf, kgf and gf
- RS232 for easy data transmission
- Lightweight plastic case
- Overload warning
- Auto-off function
- CE Mark

NEW
with RS232
output



The CFG+ digital force gauge with RS232 output provides an economical solution for simple tension and compression testing. Powered by AA batteries, the CFG+ can be used handheld or fixed to a manual or motorised test stand.

A simple digital alternative to traditional analogue spring balances, the CFG+ is ideal for users with a limited budget, who only measure on an occasional basis for non-critical applications.

The CFG+ is available in 3 models - 50N, 200N and 500N (11lbf, 44lbf and 110lbf) - and comes complete with a set of accessories, so you can start testing immediately.



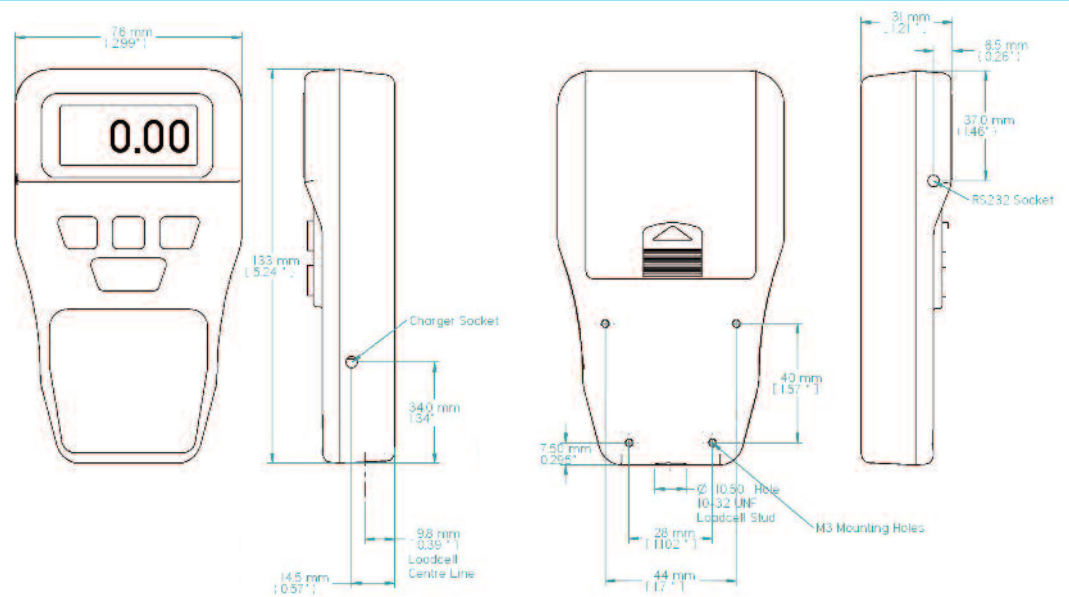
CFG+ Accessories



Tensile Test on a Drawer

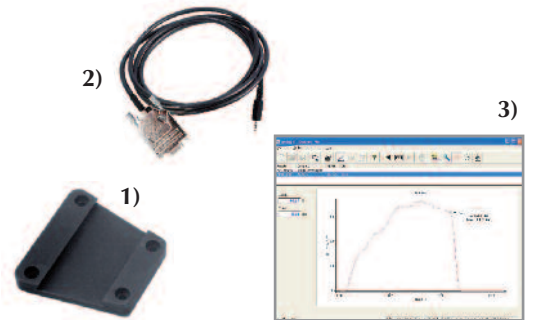
cost-effective
easy-to-use
durable

Dimensions



Optional Extras

- 1) CFG+ Mounting Plate**
Connect your CFG+ to a Mecmesin test stand for a complete test system
- 2) Cable CFG+ to RS232**
Connect your CFG+ to a peripheral device e.g. PC for easy data transmission of test results
- 3) Emperor™ Lite**
Expand the functionality of the CFG+ with Emperor™ Lite data acquisition and plotting software. Analyse test results and view data in graphical format



Specifications

Model No.	Part No.	N	Capacity x Resolution	
			kgf	lbf
CFG+ 50	860 - 021	50 x 0.05	5 x 0.005	11 x 0.01
CFG+ 200	860 - 022	200 x 0.2	20 x 0.02	44 x 0.05
CFG+ 500	860 - 023	500 x 0.5	50 x 0.05	110 x 0.1

Accuracy $\pm 0.5\%$ of full scale

Note: The following units are available on the majority of CFG+ models. Those that differ are marked by an asterisk with details given: kN*, N, mN, kgf, gf**, lbf, ozf.

* Not available on the CFG+50N

** Not available on the CFG+200N or 500N



DISTRIBUTOR STAMP

Head Office
Mecmesin Limited
Newton House,
Spring Copse Business Park,
Slinfold, West Sussex,
RH13 0SZ, United Kingdom.
e. sales@mecmesin.com
t. +44 (0) 1403 799979
f. +44 (0) 1403 799975

North America
Mecmesin Corporation
45921 Maries Road,
Suite 120, Sterling
Virginia 20166,
U.S.A.
e. info@mecmesinincorp.com
t. +1 703 433 9247
f. +1 703 444 9860

Asia
Mecmesin Asia Co. Ltd
91/1 Chaiyo Building, 11th Floor,
Room 1106, Rama 9 Road,
Huaykwang, Bangkok, 10310,
Thailand.
e. sales@mecmesinasia.com
t. +66 2 247 46 81
f. +66 2 247 46 82

China
Mecmesin (Shanghai) Pte Ltd
Room 302, No. 172,
Daxue Lu - University Avenue,
Yangpu District, Shanghai, 200433,
People's Republic of China.
e. sales@mecmesin-china.com
t. +86 21 5566 1037 / 3377 1733
f. +86 21 5566 1036